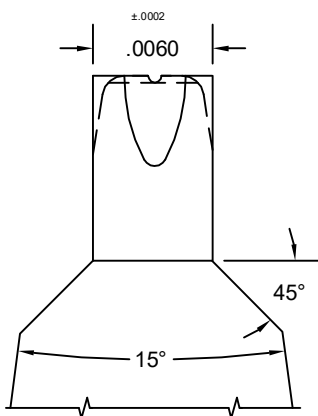
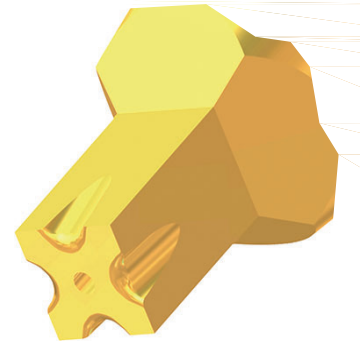
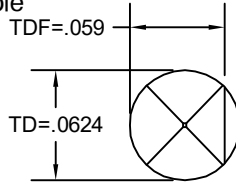
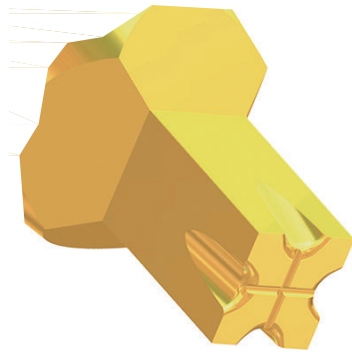
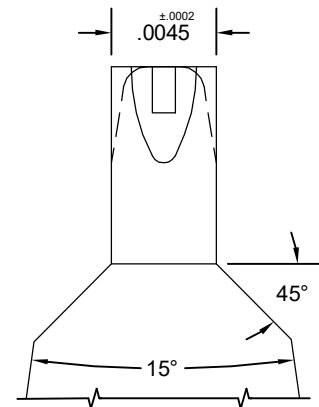
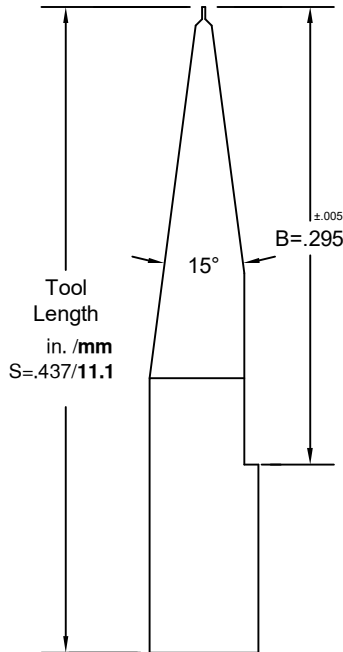


# TESSERA<sup>®</sup>

Four Sides Tab Tool  
with a Cross Groove or with a Dimple



Example for a Cross Groove:  
TESS-M-S-6X6-17-CG



Example for a Dimple:  
TESS-M-S-4.5X4.5-D

SAMPLE PART NUMBER: TESS-M-S-6X6- \*

SYMBOL EXPLANATION: 1 2 3 4 5

1. SERIES: CT \_\_\_\_\_
2. MATERIAL: \_\_\_\_\_  
 M = Ceramic  
 C = Tungsten Carbide  
 T = Titanium  
 All other: See Material Selection Guide
3. TOOL LENGTH: S=.437/11.1 \_\_\_\_\_
4. TOOL SIZE: Please specify \_\_\_\_\_
5. OPTION: Tip Style and other options \_\_\_\_\_  
 with a Cross Groove insert a "CG" and size  
 with a Dimple insert a "D" (old DMPL)  
 Type # 17 Example: TESS-M-S-6X6-17-CG or TESS-M-S-6X6-18-CG  
 Please specify

Other dimensions available upon request  
Please contact DeWeyl Tool Company

μ BGA<sup>®</sup> is the registered product trademark of Tessera<sup>®</sup>