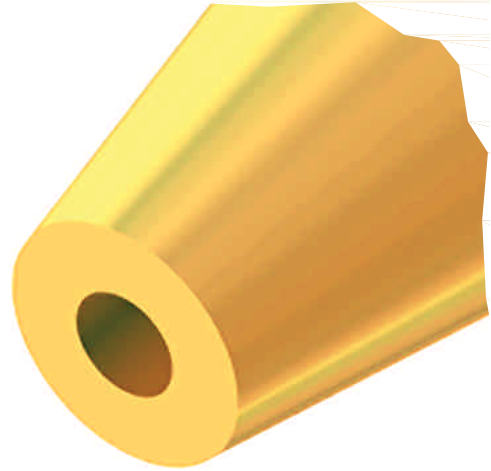
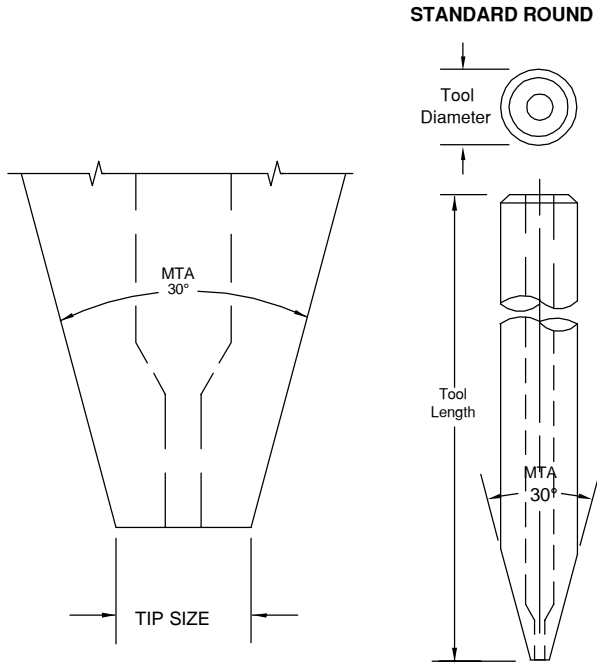


SERIES CTV

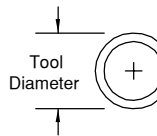
VACUUM PICK-UP TOOL



MTA = MAIN TAPER ANGLE

Special dimensions available upon request.
Dimensions not shown please specify.
We recommend ceramic material for all gold wire bonding for optimum results.

OPTIONAL FLAT



For Standard Round specify TD only
For Optional Flat specify TD and TDF

	TD		TDF	
	in.	mm	in.	mm
1/16	.0624	1.59	.0460	1.17
	.0784	1.99	.0630	1.60
3/32	.0937	2.38	.0880	2.24
	.1180	3.00	.0985	2.50
1/8	.1249	3.17	.0937	2.38
1/8	.1249	3.17	.1180	3.00

SAMPLE PART NUMBER: C-CT-V-1/16-1-.015-.010-P-X-*

SYMBOL EXPLANATION: 1 2 3 4 5 6 7 8 9 10

1. **MATERIAL:**
M = Ceramic
C = Tungsten Carbide
T = Titanium
All other: Material Selection Guide Tool Tips

2. **SERIES:** CT

3. **STYLE:** Vacuum Pick-up Tool

4. **TOOL DIAMETER:** Please specify

5. **TOOL LENGTH:** Please specify

10. **Tool Option:**
Please specify
MTA (Tool-Angle)
or see **Tool Options**

9. **RADIUS:**
See Option Chart below.

8. **TIP FINISH:**
M = Matte
P = Polish

7. **HOLE DIAMETER:**
Please specify

6. **TIP SIZE:**
Please specify

RADIUS OPTION CHART	OPTION LETTER		A	C	F	J	X
	RADIUS		in.	mm	in.	mm	in.
		in.	.0005	.0010	.0015	.0020	.0000
		μ	13	25	38	51	0